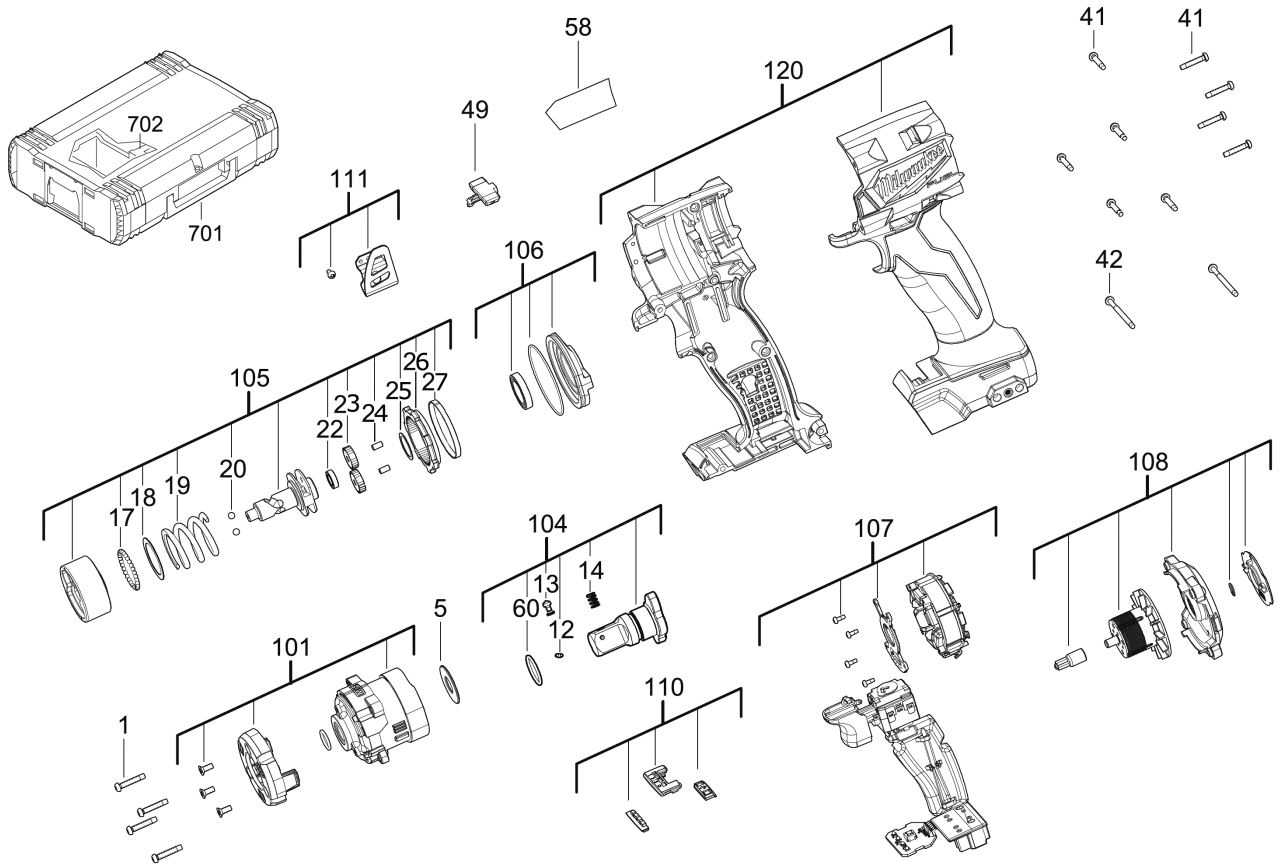


# M18FIW2P12-0X COMPACT IMPACT WRENCH XXX

4933478446 - M18FIW2P12-0X - 4000477679





Position	Quantity	Description	Part number	EAN
0001 1	4	SCREW	4931473725	4058546356019
0005 2	1	WASHER	4931465768	4058546238681
0012 3	1	BOLT	4931453279	4002395159307
0013 4	1	HOLDING PIN	4931453449	4002395148622
0014 5	1	SPRING	4931436071	4002395878437
0017 6	31	BALL	4931440309	4002395892013
0018 7	1	WASHER	4931473541	4058546354176
0019 8	1	SPRING	4931473542	4058546354183
0020 9	2	BALL	4931440453	4002395892020
0022 10	1	BALL BEARING	4931465819	4058546239190
0023 11	2	PLANET GEAR	4931495798	4058546494667
0024 12	2	PIN	4931495799	4058546494674
0025 13	1	WASHER	4931452053	4002395180189
0026 14	1	GEAR	4931495800	4058546494681
0027 15	1	RING	4931495801	4058546494698
0041 16	9	SCREW	4931465499	4058546235994
0042 17	2	SCREW	4931454852	4058546020262
0049 18	1	SLIDER	4931473544	4058546354206
0058 19	1	RATING PLATE	4931473556	4058546354329
0060 20	1	O-RING	4931473546	4058546354220
0101 21	1	GEAR BOX ASSY	4931473547	4058546354237
0104 22	1	ANVIL	4931473557	4058546354336
0105 23	1	GEAR KIT	4931496338	4058546534752
0106 24	1	GEAR BOX COVER	4931473550	4058546354268
0107 25	1	ELECTRONIC	4931473551	4058546354275
0108 26	1	ROTOR	4931473552	4058546354282
0110 27	1	SPEED CONTROL	4931473553	4058546354299
0111 28	1	BELT CLIP	4931465831	4058546239312
0120 29	1	HOUSING	4931473554	4058546354305
0701 30	1	HD Box 1 - 1pc	4932453385	4002395146376
0702 31	1	INSERT	4931473555	4058546354312